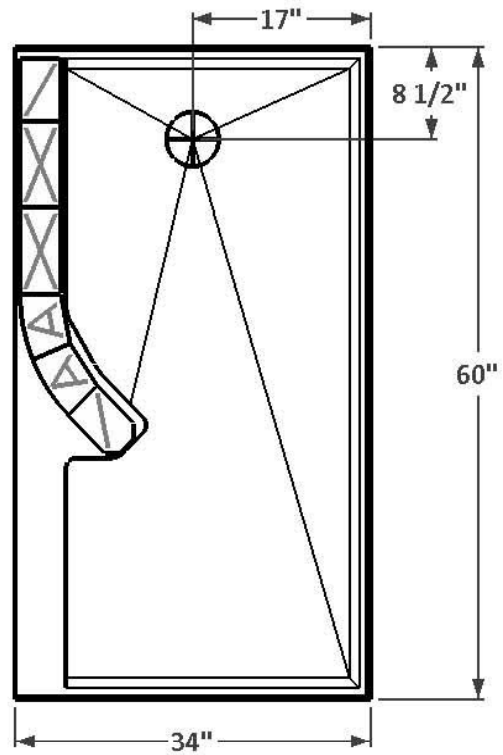
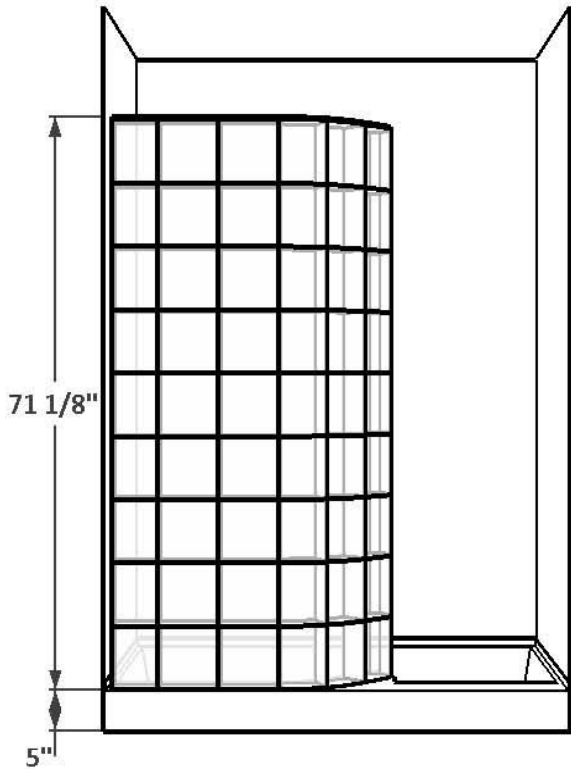
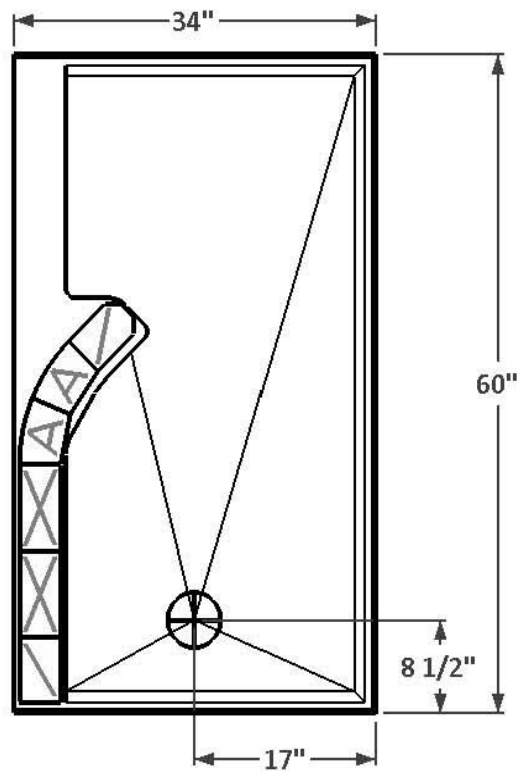
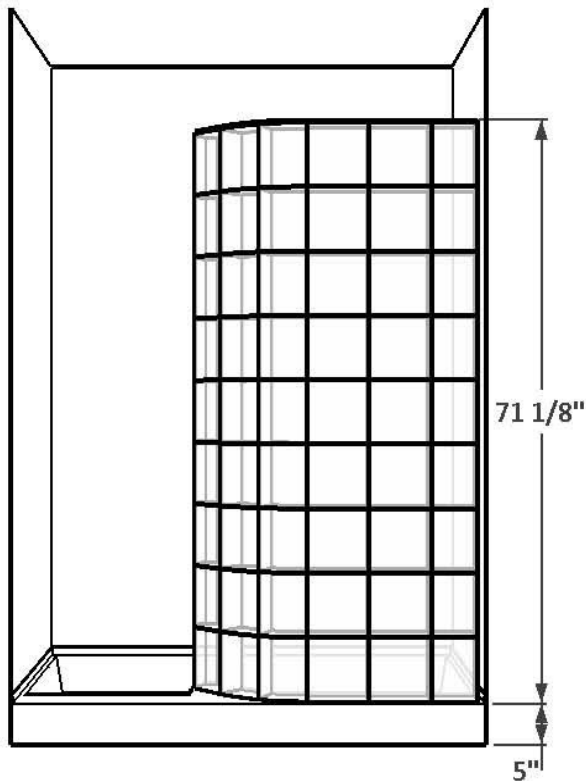


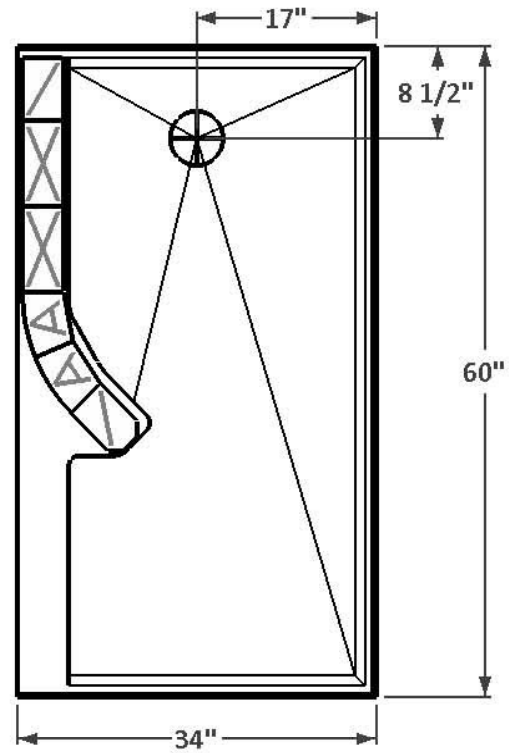
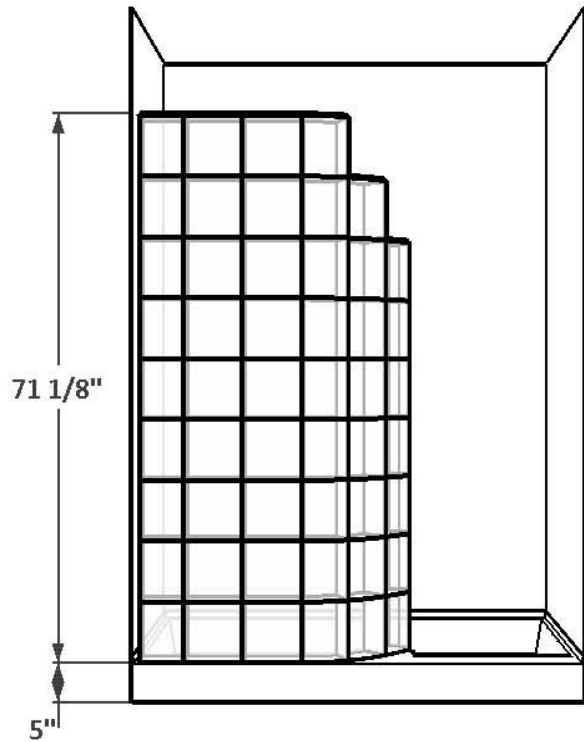
9 Row - Right Entry
MSS-72-RE



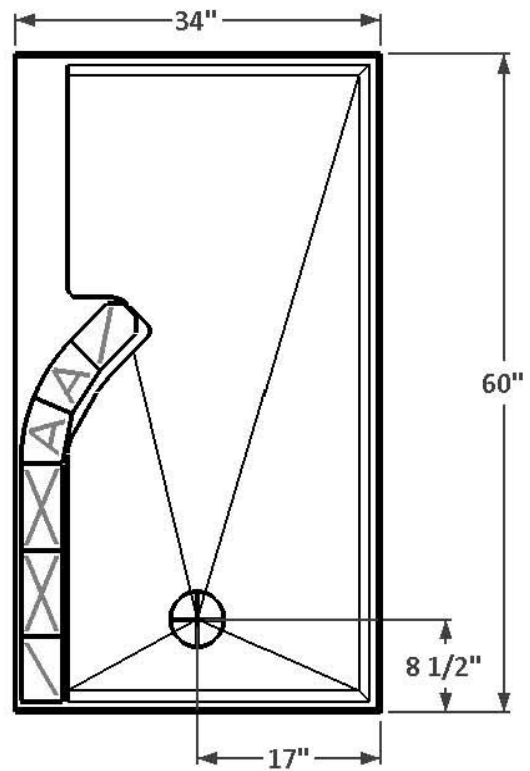
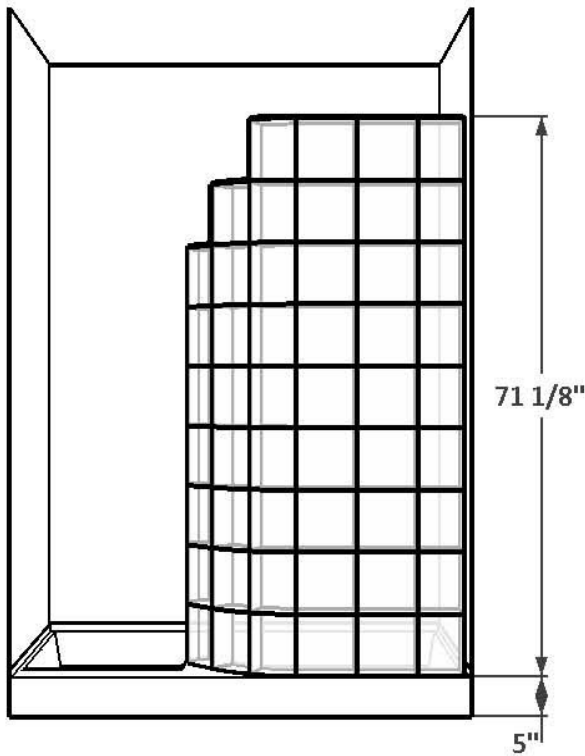
9 Row - Left Entry
MSS-72-LE



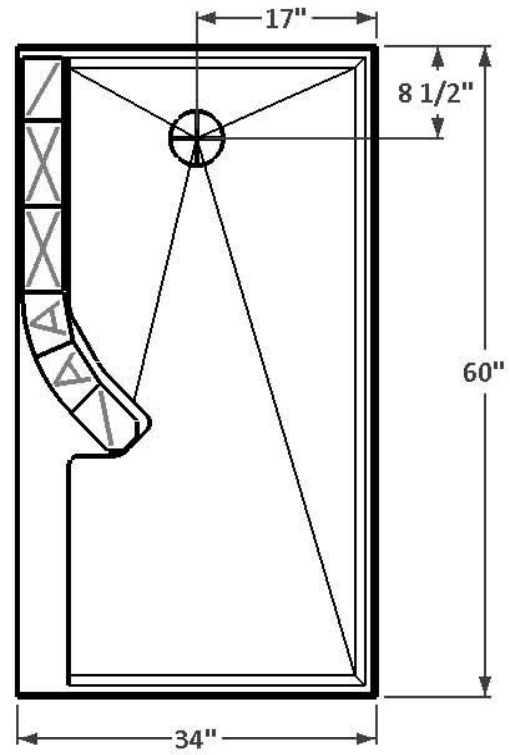
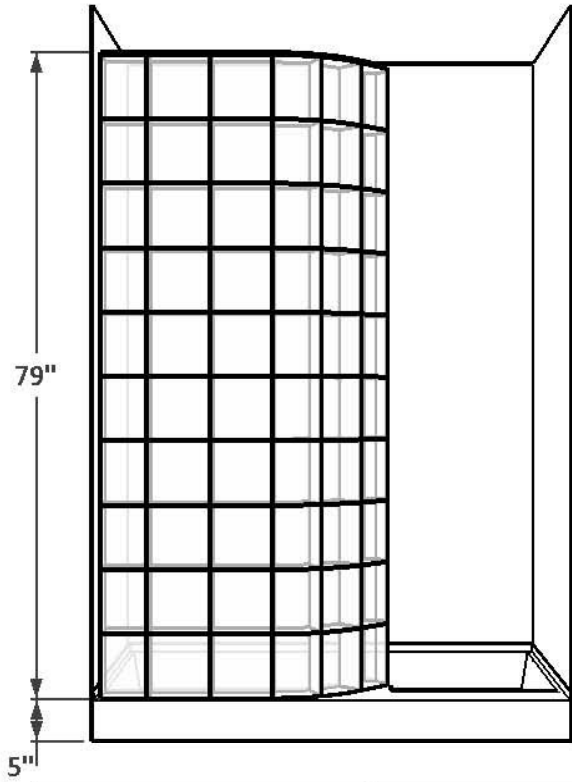
9 Row - Right Entry - Stepped
MSS-72-RES



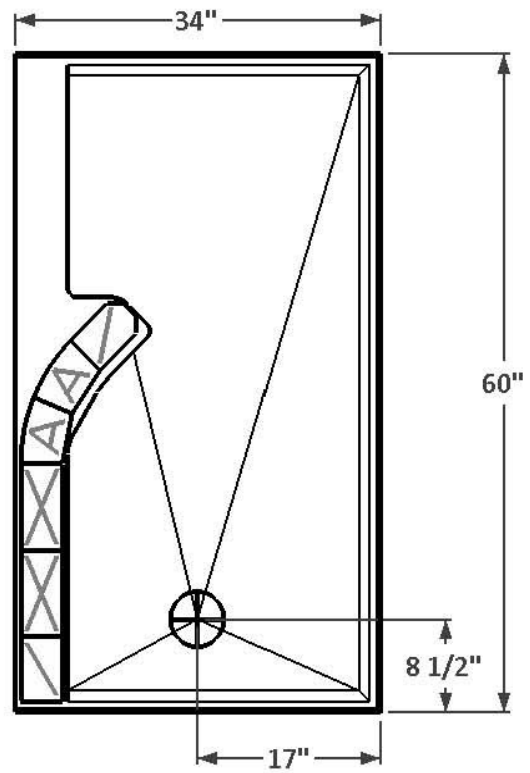
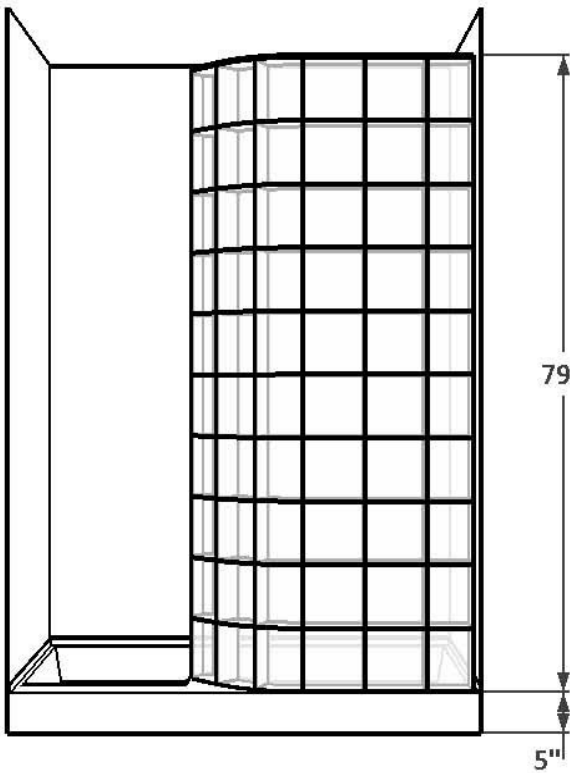
9 Row - Left Entry - Stepped
MSS-72-LES



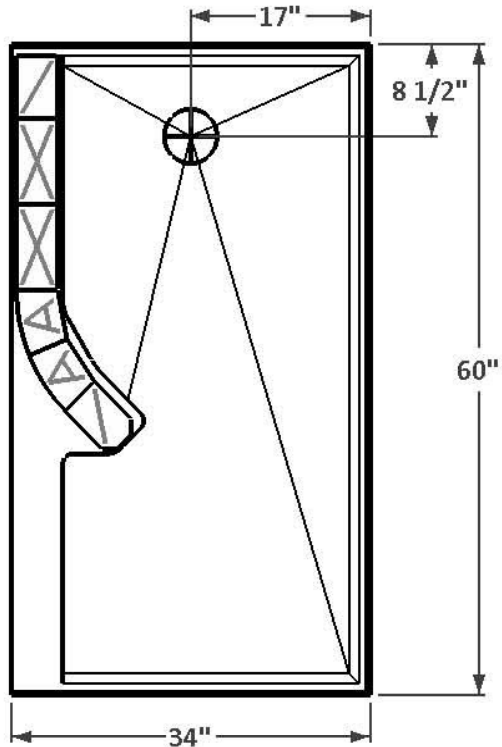
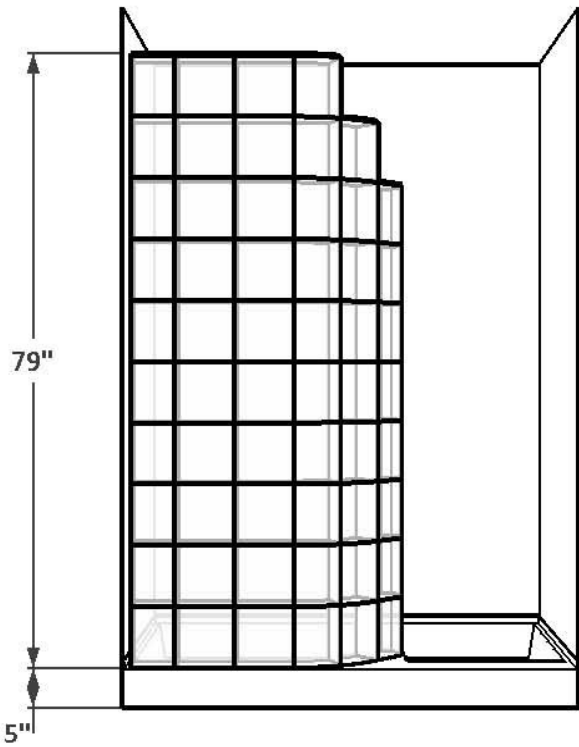
10 Row - Right Entry
MSS-80-RE



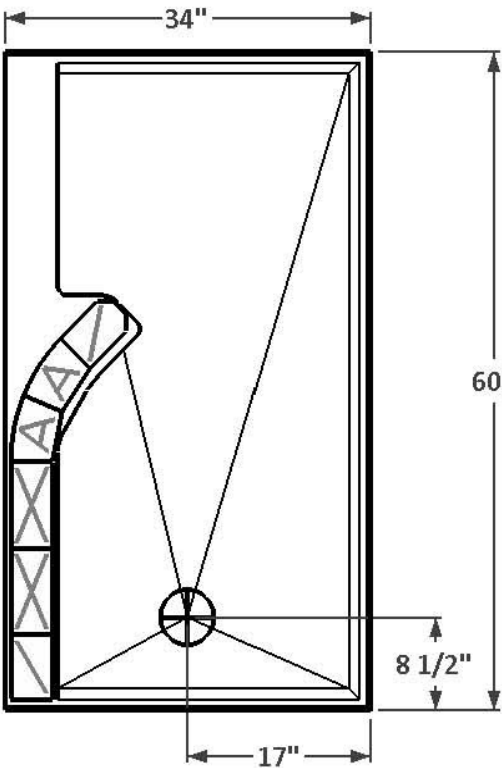
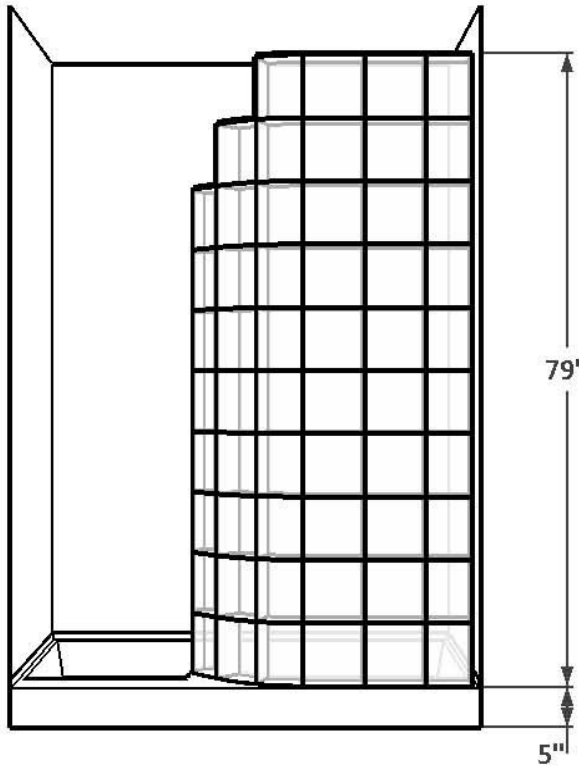
10 Row - Left Entry
MSS-80-LE



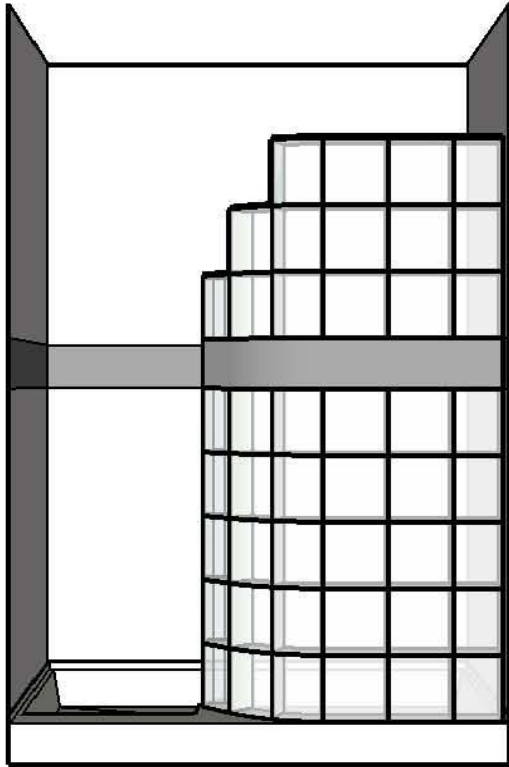
10 Row - Right Entry - Stepped
MSS-80-RES



10 Row - Left Entry - Stepped
MSS-80-LES



Accent Row 4 Tile



Now you can continue your tile accent through the glass block wall by replacing a row of block with a band of Ready 4 Tile (wedi). The band of Ready 4 Tile is recessed by 1/2" on both sides and will finish flush with the glass block once tiled with the tile of your choice.

Please note: wedi band is 6" tall which will reduce the overall height of the glass block wall by 2".

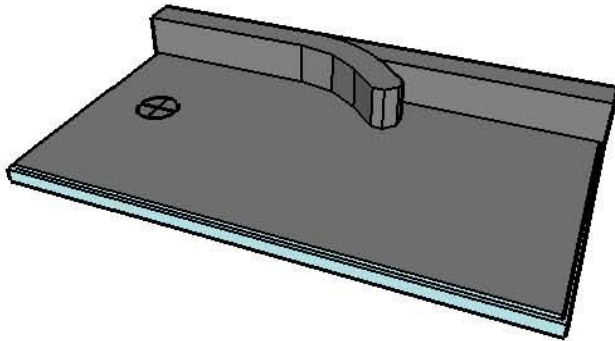
Accent row will be placed on the 6th row from the bottom unless otherwise specified.

Part Numbers:

MSS-70-LE, MSS-70-RE, MSS-70-LES, MSS-70-RES, MSS-78-LE, MSS-78-RE, MSS-78-LES, MSS-78-RES

Tile is not included.

Ready 4 Tile Shower Pan



We offer the same pan configuration in our Ready 4 Tile Shower Pan option. Left & Right entry available.

This waterproof pan can be customized to fit your dimensions and drain location. The presloped shower pan is simply glued into place with modified thinset and includes a twist-tight drain. The pan is now ready for tile.

Contact our sales representatives for a quote on this shower pan option.